

5 in 1 Dimmable Constant Voltage

Triac/0-10V/1-10V/Potentiometer/10V PWM 5 in 1 Dimmable LED Driver

可控硅&0-10V (5合1)调光电源

Features 特性

- High efficiency, high reliability, save energy, protected environment, long life time
- Output : Constant Voltage Type
- Universal AC input : (100-277V)
- Short circuit/Over voltage/Over temp.
- Plastic housing IP20 or aluminum housing IP67
- Built-in PFC function PF > 0.97 / Efficiency > 86%
- Dimming function:
 - (1) Phase dimming: forward phase /leading edge MLV & Reverse phase /trailing edge ,ELV, TRIAC dimmers
 - (2) 0-10V dimming: 0-10V/1-10V/Potentiometer/10V PWM 4 in 1
- Optional Shell: Standard Size, Slim Size, J-box driver
- 7 years warranty.
- UL/cUL, CE, FCC, Type HL rated, Class P ROHS approval

产品优势: 高效率, 性能稳定, 节能环保
保护环境, 寿命长

输出: 恒压输出

国际通用输入电压: (100-277V)

保护功能: 短路/过压、过温保护功能

塑料外壳 IP20或铝外壳 IP67

内置PFC功能: PF > 0.98/效率 > 86%

调光功能:

(1)可控硅调光: 正相/前沿/MLV和反相/后沿, ELV, TRIAC调光器

(2)0-10V调光: 0-10V/1-10V/电阻调光/10V PWM 4合1

可选外壳: 常规尺寸、长条尺寸、一体机

质保期: 7年

认证: UL/cUL, CE, FCC, Type HL rated, Class P, ROHS,

Application 适用范围

- Indoor & outdoor LED illuminating lights.
- LED Neon,
- LED City Decoration
- LED Lighting Advertising,
- LED Display, Strips, Light bar
- Commercial LED Lighting,

户内外LED照明灯光

LED霓虹灯

LED城市装饰灯

LED广告灯带

LED显示屏, 灯带, 灯条

商用LED照明

Optional Shell 可选外壳

SMT- XXX - YYY VTD
SMT- XXX - YYY VTD52 (Class 2)



DC 12V 24V, 30W-300W
DC 12V 24V 48V, 180-384W (Class 2)
Standard Size
With Junction Box

SMT- XXX - YYY VTDSP(W)



DC 12V 24V 36V 48V, 30W-150W
Slim Size Design

SMT- XXX - YYY VTDHV2
SMT- XXX - YYY VTD52JV2 (Class 2)



DC 12V 24V, 30W-300W
DC 12V 24V 48V, 180-384W (Class 2)
built-in Junction Box

Dry, damp & wet location



Optional Model (Standard Size 5 in 1 Dimmable LED Driver)

可选型号 (5合1常规尺寸LED 驱动)

Model 型号	Cover Material 外壳材质	Output Voltage 输出电压 (Vdc)	Output Current 输出电流 (Amp)	Output power 输出功率 (Watt)	Product Size 尺寸 (mm)	NW 净重 (g)
SMT-012-030VTD	Plastic(IP20)	12	2.5	30	155*54*20	200
SMT-024-030VTD	Plastic(IP20)	24	1.25	30	155*54*20	200
SMT-012-060VTD	Plastic(IP20)	12	5	60	178*61*24	350
SMT-024-060VTD	Plastic(IP20)	24	2.5	60	178*61*24	350
SMT-012-080VTD	Aluminum(IP67)	12	6.6	80	230*70*43	1100
SMT-024-080VTD	Aluminum(IP67)	24	3.3	80	230*70*43	1100
SMT-012-100VTD	Aluminum(IP67)	12	8.33	100	230*70*43	1100
SMT-024-096VTD	Aluminum(IP67)	24	4	96	230*70*43	1100
SMT-012-120VTD	Aluminum(IP67)	12	10	120	230*70*43	1100
SMT-024-120VTD	Aluminum(IP67)	24	5	120	230*70*43	1100
SMT-012-150VTD	Aluminum(IP67)	12	12.5	150	256*78*47	1500
SMT-024-150VTD	Aluminum(IP67)	24	6.25	150	256*78*47	1500
SMT-012-200VTD	Aluminum(IP67)	12	16.66	200	256*78*47	1500
SMT-024-200VTD	Aluminum(IP67)	24	8.33	200	256*78*47	1500
SMT-012-300VTD	Aluminum(IP67)	12	25	300	276*78*47	1700
SMT-024-300VTD	Aluminum(IP67)	24	12.5	300	276*78*47	1700



Optional Model (Slim Size 5 in 1 Dimmable LED Driver)

可选型号 (5合1长条尺寸LED 驱动)

Model 型号	Cover Mteril 外壳材质	Output Voltage 输出电压 (Vdc)	Output Current 输出电流 (Amp)	Output power 输出功率 (Watt)	Product Size 尺寸 (mm)	N/W 净重 (g)
SMT-012-030VTDSW	Aluminum(IP67)	12	2.5	30	262*32*20	400
SMT-024-030VTDSW	Aluminum(IP67)	24	1.25	30	262*32*20	400
SMT-012-030VTDSP	Plastic(IP20)	12	2.5	30	260*30*18.5	300
SMT-024-030VTDSP	Plastic(IP20)	24	1.25	30	260*30*18.5	300
SMT-012-036VTDSW	Aluminum(IP67)	12	3	36	262*32*20	400
SMT-024-036VTDSW	Aluminum(IP67)	24	1.5	36	262*32*20	400
SMT-012-036VTDSP	Plastic(IP20)	12	3	36	260*30*18.5	300
SMT-024-036VTDSP	Plastic(IP20)	24	1.5	36	260*30*18.5	300
SMT-012-060VTDSW	Aluminum(IP67)	12	5	60	300*32*20	500
SMT-024-060VTDSW	Aluminum(IP67)	24	2.5	60	300*32*20	500
SMT-012-060VTDSP	Plastic(IP20)	12	5	60	300*30*18.5	400
SMT-024-060VTDSP	Plastic(IP20)	24	2.5	60	300*30*18.5	400
SMT-012-100VTDSW	Aluminum(IP67)	12	8.33	100	330*32*23	600
SMT-024-096VTDSW	Aluminum(IP67)	24	4	96	330*32*23	600
SMT-024-100VTDSW	Aluminum(IP67)	24	4.17	100	330*32*23	600
SMT-012-100VTDSP	Plastic(IP20)	12	8.33	100	330*30*22	500
SMT-024-096VTDSP	Plastic(IP20)	24	4	96	330*30*22	500
SMT-024-100VTDSP	Plastic(IP20)	24	4.17	100	330*30*22	500
SMT-012-150VTDSW	Aluminum(IP67)	12	12.5	150	330*32*23	650
SMT-024-150VTDSW	Aluminum(IP67)	24	6.25	150	330*32*23	650
SMT-012-150VTDSP	Plastic(IP20)	12	12.5	150	330*30*22	500
SMT-024-150VTDSP	Plastic(IP20)	24	6.25	150	330*30*22	500



Optional Model (J-Box 5 in 1 Dimmable LED Driver)

可选型号 (5合1 壳机一体 LED 驱动)

Model 型号	Cover Mteril 外壳材质	Output Voltage 输出电压 (Vdc)	Output Current 输出电流 (Amp)	Output power 输出功率 (Watt)	Product Size 尺寸 (mm)	N/W 净重 (g)
SMT-012-030VTDHV2	NEMA 4X(IP66)	12	2.5	30	165*94.5*40	700
SMT-024-030VTDHV2	NEMA 4X(IP66)	24	1.25	30	165*94.5*40	700
SMT-012-060VTDHV2	NEMA 4X(IP66)	12	5	60	188*94.5*40	850
SMT-024-060VTDHV2	NEMA 4X(IP66)	24	2.5	60	188*94.5*40	850
SMT-012-080VTDHV2	NEMA 4X(IP66)	12	6.6	80	220*94.5*40	1300
SMT-024-080VTDHV2	NEMA 4X(IP66)	24	3.3	80	220*94.5*40	1300
SMT-012-100VTDHV2	NEMA 4X(IP66)	12	8.33	100	220*94.5*40	1300
SMT-024-096VTDHV2	NEMA 4X(IP66)	24	4	96	220*94.5*40	1300
SMT-012-120VTDHV2	NEMA 4X(IP66)	12	10	120	220*94.5*40	1300
SMT-024-120VTDHV2	NEMA 4X(IP66)	24	5	120	220*94.5*40	1300
SMT-012-150VTDHV2	NEMA 4X(IP66)	12	12.5	150	278*110*45	1800
SMT-024-150VTDHV2	NEMA 4X(IP66)	24	6.25	150	278*110*45	1800
SMT-012-200VTDHV2	NEMA 4X(IP66)	12	16.66	200	278*110*45	1800
SMT-024-200VTDHV2	NEMA 4X(IP66)	24	8.33	200	278*110*45	1800
SMT-012-300VTDHV2	NEMA 4X(IP66)	24	25	300	301*110*45	2000
SMT-024-300VTDHV2	NEMA 4X(IP66)	12	12.5	300	301*110*45	2000



Optional Model (Standard Size 5 in 1 & Class 2 LED drivers)

可选型号 (5合1 Class 2 常规尺寸LED 驱动)

Model 型号	Cover Mteril 外壳材质	Output Voltge 输出电压 (Vdc)	Output Current 输出电流 (Amp)	Output power 输出功率 (Watt)	Product Size 尺寸 (mm)	N/W 净重 (g)
SMT-012-180VTD52	Aluminum(IP67)	12	15(multi 3x5A)	180W	256*78*47	1700
SMT-024-192VTD52	Aluminum(IP67)	24	8(multi 2x4A)	192W	256*78*47	1700
SMT-012-300VTD52	Aluminum(IP67)	12	25(multi 5x5A)	300W	276*78*47	1900
SMT-024-288VTD52	Aluminum(IP67)	24	12(multi 3x4A)	288W	276*78*47	1900
SMT-024-384VTD52	Aluminum(IP67)	12	16(multi 4x4A)	384W	322*78*44	2000
SMT-048-384VTD52	Aluminum(IP67)	24	8(multi 4x2A)	384W	322*78*44	2000



SMT- XXX - YYY VTD52 (Class 2)



SMT- XXX - YYY VTD52JV2 (Class 2)

Optional Model (J-Box 5 in 1 & Class 2 LED drivers)

可选型号 (5合1 Class 2 壳机一体LED 驱动)

Model 型号	Cover Mteril 外壳材质	Output Voltage 输出电压 (Vdc)	Output Current 输出电流 (Amp)	Output power 输出功率 (Watt)	Product Size 尺寸 (mm)	N/W 净重 (g)
SMT-012-180VTD52JV2	Aluminum(IP67)	12	15(multi 3x5A)	180	340*250*245	2300
SMT-024-192VTD52JV2	Aluminum(IP67)	24	8(multi 2x4A)	192	340*250*245	2300
SMT-012-300VTD52JV2	Aluminum(IP67)	12	25(multi 5x5A)	300	365*250*245	2500
SMT-024-288VTD52JV2	Aluminum(IP67)	24	12(multi 3x4A)	288	365*250*245	2500
SMT-024-384VTD52JV2	Aluminum(IP67)	12	16(multi 4x4A)	384	365*270*245	2600
SMT-048-384VTD52JV2	Aluminum(IP67)	24	8(multi 4x2A)	384	365*270*245	2600

Connecting Diagram

接线图

Using two ways of dimming at the same time, you must be assured that LED lighting is up to the max. Brightness then you could operate with the other dimming;

同时使用两种调光方式，一定要确保LED照明达到最大。亮度则可以与其他调光一起操作；

Using one dimming ---TRIAC/Phase cut dimming

单调光---TRIAC/Phase cut调光

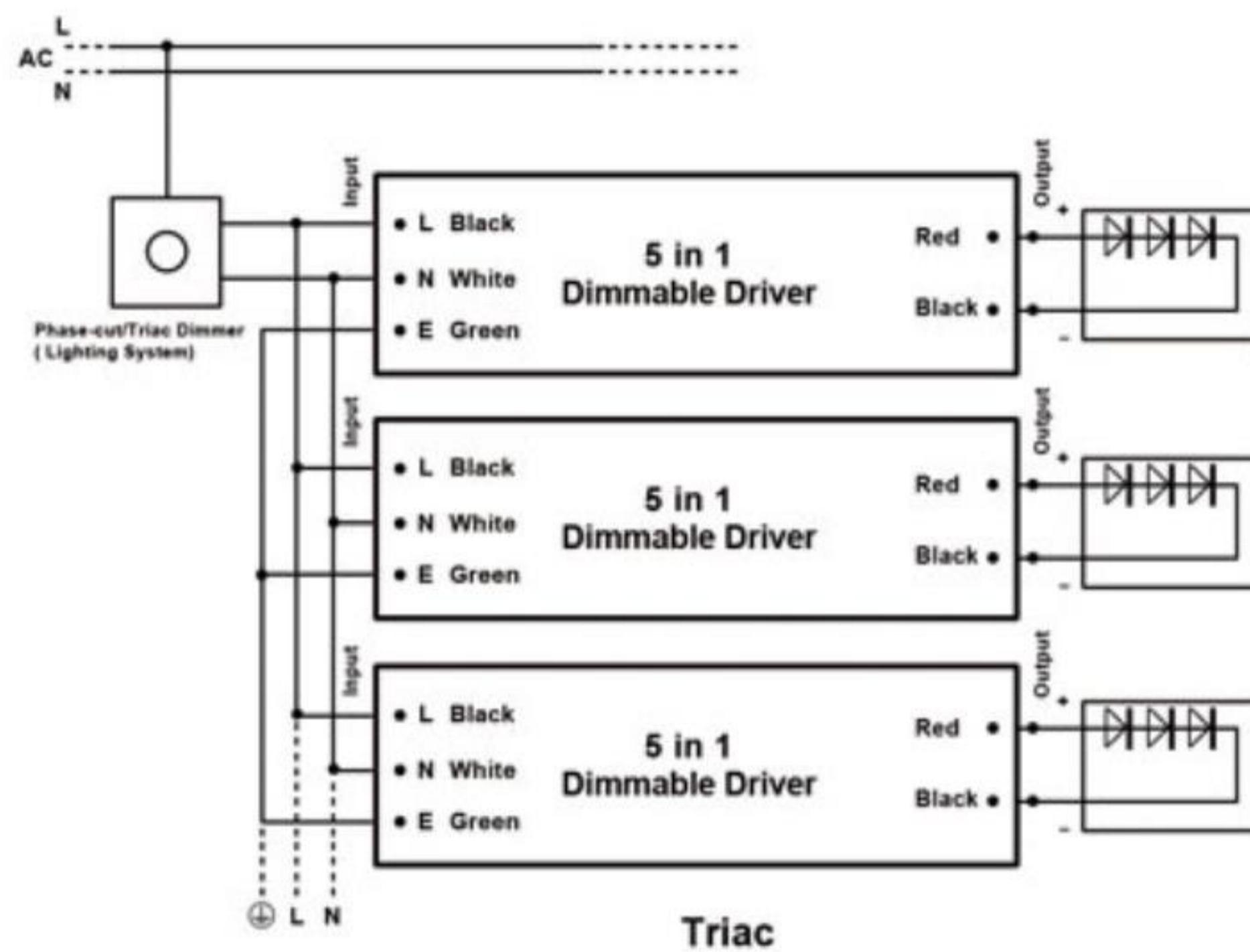
- 1.The Pulse-Width Modulation (PWM) of output voltage can be adjusted through input terminal of the AC phase line(L) by connection a phase /Triac dimmer of lighting system.
- 2.Working with forward phase /leading edge ,MLV and Reverse phase /trailing edge ,ELV, TRIAC dimmers
- 3.Min loading is about 10%
- 4.Please try to use dimmers with power at least 1.5 times as the output power of the driver.

1.输出电压的脉宽调制 (PWM) 可以通过交流相线 (L) 的输入端连接照明系统的相位/可控硅调光器来调节。

2.使用正相/前沿, MLV和反相/后沿, ELV, TRIAC调光器

3.最小负载约为10%

4.请尽量使用功率至少为驱动器输出功率1.5倍的调光器。



Using one dimming ---0-10V/1-10V dimming:

单调光---0-10V/1-10V调光:

